



THE INNOVATOR IN  
**SOUND & VIBRATION  
 TECHNOLOGY**

+1.616.669.3028  
 VibrationResearch.com  
 vrsales@VibrationResearch.com

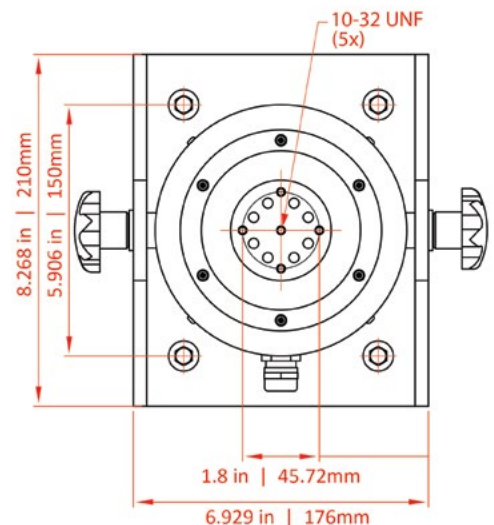
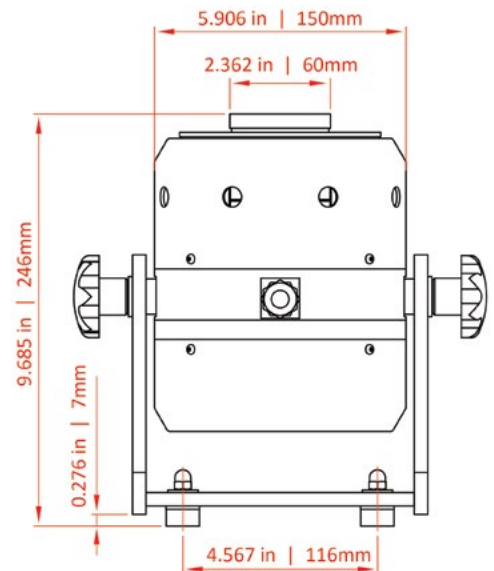
# VR4022 Electrodynamic Shaker

The VR4022 is a permanent magnet shaker that is used for both modal and general purpose testing. The compact size and light weight make a very portable package. This size is ideal for desktop applications. This lightweight armature shaker runs higher test levels without forced air cooling. It's perfectly suited for testing of small transducers as well as electrical and mechanical assemblies. High lateral and axial stiffness reduce problems caused by off-center loads. Unsupported horizontal operation is possible on many loads. The frequency limit of 7,000Hz satisfies high frequency test requirements.



## VR4022 SYSTEM SPECIFICATIONS

SINE FORCE	22F-lb pk
RANDOM FORCE	15F-lb RMS
SHOCK FORCE	31F-lb pk
FREQUENCY RANGE	DC to 7,000Hz
MAX ACCELERATION (bare table)	45g pk Sine 30g pk Random
MAX VELOCITY	59ips
MAX DISPLACEMENT	0.51" pk-pk
POWER REQUIREMENTS	120VA @ 120V 1Ø, 50/60Hz *Request low line voltage operation details
COOLING	Natural convection
ARMATURE WEIGHT	0.51 lbs
SUSPENSION STIFFNESS	45.7F-lb/in
DIMENSIONS	9.68"H x 9.69"W x 8.27"D
SHAKER WEIGHT	26.46lbs
FUNDAMENTAL RESONANCE	>6,500Hz



# POWER AMPLIFIER

The system features a high quality, air cooled, direct coupled linear power amplifier. This amplifier is designed specifically for use with small, permanent magnet vibration systems. This amplifier has been designed to directly drive low impedance loads. It can be used in any application requiring continuous

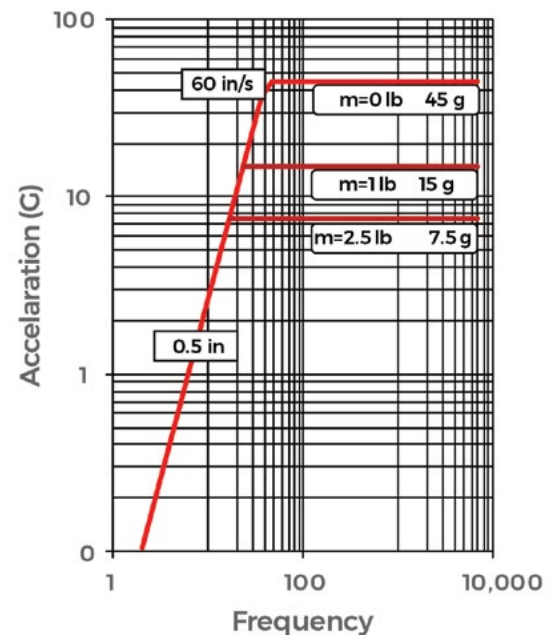


duty, high quality power. The amplifier features protection from both over an adjustable current limit and over temperature limit. This protection insures long term reliability. A quick connect power port connects to the shaker. The amplifier includes full interlock capabilities. A simple button inverts the output phase. A LCD display monitors peak voltage and RMS current. This amplifier is configured as either a wide bank, highly damped voltage source, or as a high impedance current source. DC and AC coupled inputs are included. The amplifier is designed for standard 19" rack mounted installation and requires 120V, 220V or 240V 48-60Hz power.

## AMPLIFIER PARAMETERS

Output voltage	22V RMS
Output current	5.5A RMS
Max. continuous dissipation	120V RMS
Max voltage gain	<5V RMS
Cooling	Fan, automatic
Input impedance	>10,000ohms
Meters	Volts pk: 3-digit meter Amps rms: 3-digit meter
Interlock circuit	Overload, Temperature, Clipping
Dimensions	3.5"H x 19"W x 17.7"D
Weight	35.3lbs

## System Performance VR4022



## OPTIONS

- Accelerometers
- Modal stinger & mounts
- Rack cabinet
- Vibration controllers
- Vibration isolation mounts

THE INNOVATOR IN  
**SOUND & VIBRATION  
TECHNOLOGY**

+1.616.669.3028  
VibrationResearch.com  
vrsales@VibrationResearch.com

