



THE INNOVATOR IN
**SOUND & VIBRATION
 TECHNOLOGY**

+1.616.669.3028
 VibrationResearch.com
 vrsales@VibrationResearch.com

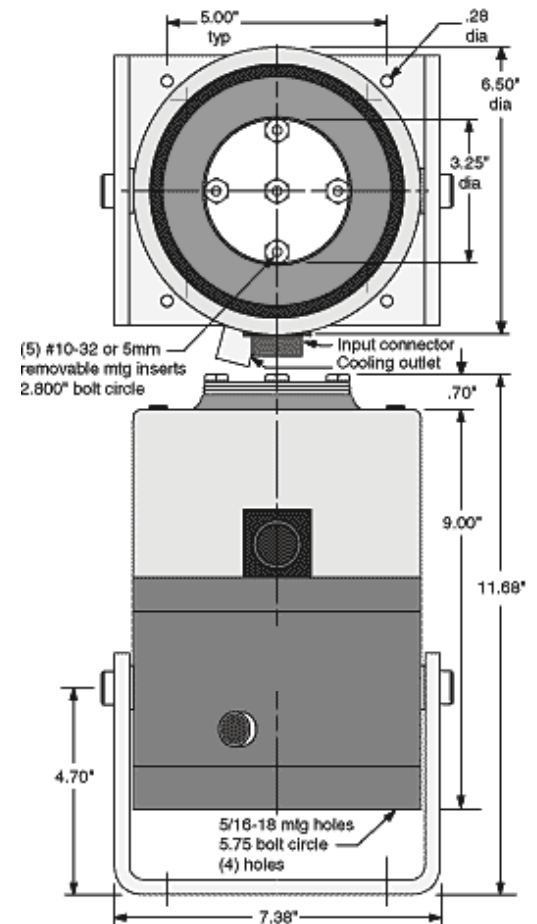
VR5600 **Electrodynamic Shaker**

Our strongest compact linear amplifier shaker system. Capable of up to 110F-lbs, the 3" diameter armature table is suitable for larger loads that require high vibration levels. The shaker's full 1" armature stroke capability is ideal for many modal as well as low and high frequency general applications. The air-cooled linear amplifier is direct coupled to the shaker to give the maximum performance at low and high frequencies and can be easily switched from voltage source mode, for general testing, to current source mode for modal testing applications. Dual meters display the system operating levels and complete shaker and user interlocks help protect the system from accidental abuse. A lateral flexure table base system is available for larger and heavier loads or loads with a high center of gravity.



VR5600 SYSTEM SPECIFICATIONS

SINE FORCE	110F-lb pk
RANDOM FORCE	45F-lb rms
SHOCK FORCE	110F-lb pk
FREQUENCY RANGE	DC to 6,500Hz
MAX ACCELERATION	110g pk, bare table 55g pk, 1lb load 10g pk, 10lb load
MAX VELOCITY	120ips
MAX DISPLACEMENT	1" pk-pk
POWER REQUIREMENTS	3,300VA @ 200V, 220V, 240V 1Ø, 50/60Hz *Request low line voltage operation details
COOLING	Cooling vacuum
ARMATURE WEIGHT	1 lb
SUSPENSION STIFFNESS	90F-lb/in
DIMENSIONS	11.5"H x 7.4"W x 6.5"D
SHAKER WEIGHT	56lbs
STRAY MAGNETIC FIELD	Measured 1.5" above table: <15gauss Measured 1" from body: <20gauss
FUNDAMENTAL RESONANCE	4,500Hz to 5,500Hz



POWER AMPLIFIER

The Linear Power Amplifier has two operational modes. The amplifier can be front panels switched to allow use as either a wide-band, highly damped voltage source, or as a high impedance current source.

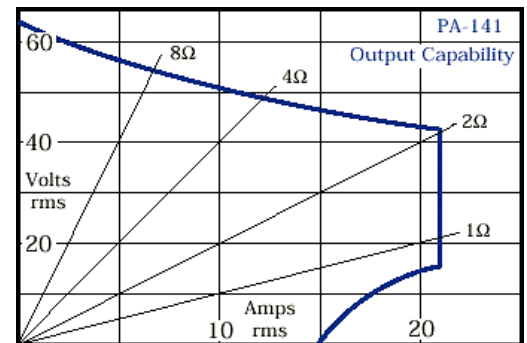
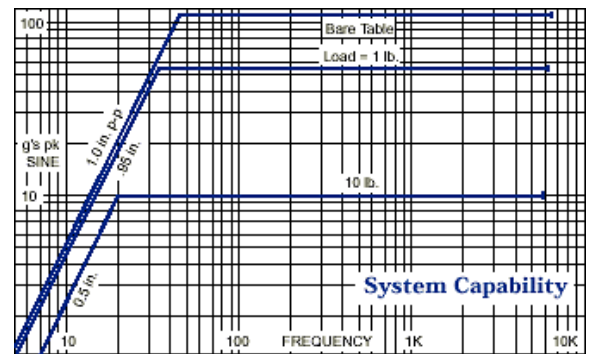
The amplifier features protection from both over current and over temperature ensuring long term reliability. The amplifier has full interlock capabilities as well as peak voltage and RMS current bar graphs to monitor output.

These features are integrated to provide full "big system" performance with the convenience of a single chassis.



AMPLIFIER PARAMETERS

Output voltage	50V rms
Output current	20A rms
Max. continuous dissipation	900W
Max voltage gain	36dB
Cooling	2-speed fan, automatic
Input impedance	10,000ohms
Meters	Volts pk: 19 segment +/-5% Amps rms: 19 segment +/-5%
Interlock circuit	External, user: FO switch or TTL
Dimensions	7"H x 19"W x 17"D
Weight	48lbs



OPTIONS

- Vibration isolation mounts
- Rack cabinets
- Modal stingers & mounts
- Vibration controllers

THE INNOVATOR IN
**SOUND & VIBRATION
TECHNOLOGY**

+1.616.669.3028
VibrationResearch.com
vrsales@VibrationResearch.com

